

PRODUKTINFORMATION
KIDSKOJE + TOY CART (EN)

KIDSKOJE®



KIDSKOJE
Rheinstraße 45 A.5 12161 Berlin
Telefon +49(0)30 85078741
info@kidskoje.com
www.kidskoje.com

KIDSKOJE INFORMATION

Our portable baby cot Kidskoje is holding a utility patent, is manufactured in Germany and using OEKO-TEX® certified natural materials. Sustainability and high quality come first. The Kidskoje is intended for children up to 8 kg and of a maximum age of 6 months.

WOODEN COMPONENTS: The Kidskoje was designed with EU standards for baby cots and baby carriers in mind (EN 1130-2 and EN 1466). The birch plywood is certified for the use in children's furniture and toys. Its sturdy construction with waterproof glue and dowelling ensures durability and sustainability. All wooden parts are treated with low emission paints and varnishes, suitable for toys. They can be cleaned with a damp cloth. It is not suitable to leave the Kidskoje out in the rain or in wet areas.

COVERS: All covers for the Kidskoje are made from cotton fabrics and are washable at 30 °C. All lining materials are of OEKO-TEX® standard or are made from organic cotton. Please do not tumble dry! The padding in the blanket is suitable for allergy sufferers.

CANOPY: Please gently remove the rods through the eyelets in the canopy before washing. Loosen the canopy of the Kidskoje only when the baby is not in it! As the rods are sprung they can snap back uncontrollably when loosened and endanger the baby.



KIDSKOJE INFORMATION

MATTRESS: The mattress is made from german organic wool. Its cover is GOTS certified and sewn the EU. The foam mattress with its removable white terry cover is produced in Germany to OEKO-TEX® standards. The cover is washable at 30 °C. Please use the provided mattress. When using other mattresses, you must ensure that there's at least a 12cm gap between the top of the mattress and the side of the wall, as required by EU standards.

STRAPS – HOLDALL AND SHOULDER STRAPS:

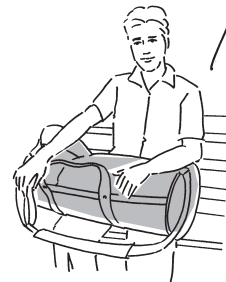
The PP straps are colourfast, heat resistant up to 140° C, meet OEKO-TEX® standards and are originally manufactured in Germany for outdoor use. For optimum comfort, adjust the straps to fit your body.

BUTTONS AND BUCKLES: For the Kidskoje we used high quality stainless steel buckles and patent buttons. The buckles and buttons were originally produced for trekking and other outdoor activity use.

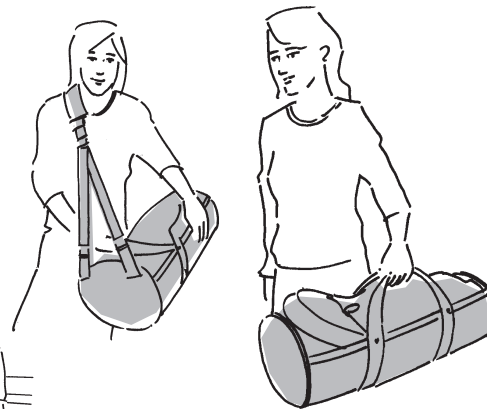


- Need to work at home? Parents need sometimes more freedom to move!

- Swinging in the Kidskoje like in a hammock in a tree? A door brace provides safety!



- Baby can be rocked and calmed on the knees because of the round bottom of the Kidskoje.



- Two stable loops for easy and safe carrying in short distances.
- An upholstered shoulderbelt provides mobility and comfort in longer distances.

ROLLOVER PROTECTION: The little „ears“ on the head and foot of the Kidskoje prevent any possible rollover should it be given a hard push.

ATTENTION: Although the Kidskoje has rollover protection, do not leave the baby unattended, and do not let a toddler play alone in the room when the baby is in the Kidskoje!

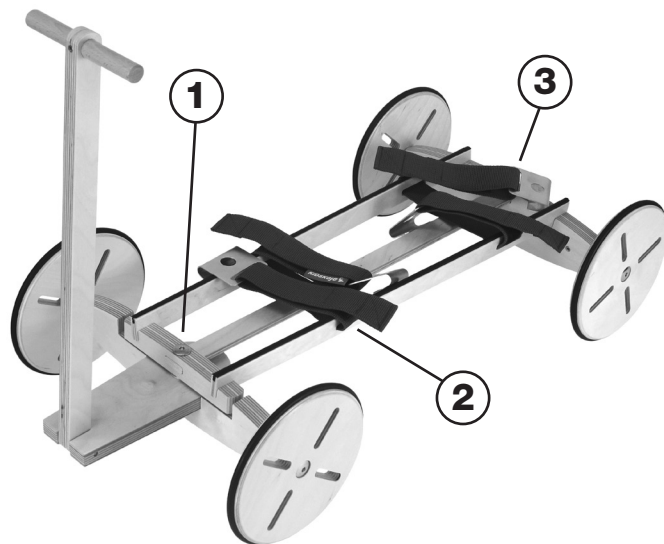
SURFACE: Always leave the Kidskoje on a stable and sufficiently large surface. Never place on slopes! When standing on tables make sure that it's at a sufficient distance of at least 30 inches (75 cms) from the edge of the table.

KIDSKOJE WARNINGS

- Please do not use the Kidskoje for transporting other items.
- The Kidskoje is extremely durable and hard-wearing. Even before it's been used, avoid dropping the Kidskoje. Any resulting vulnerabilities may lead to a risk for the baby.
- Never leave your child unattended.
- When you leave the Kidskoje with the sleeping baby, please ensure that the straps are out of reach outside the Kidskoje! Your baby could get caught up in the straps and endanger itself.
- Don't use any additional parts or replacement parts as recommended.
- Do not use the Kidskoje if parts are broken or missing.
- Don't use the Kidskoje when your child is able to pull themselves up on their own.
- Pay attention to the dangers of leaving the Kidskoje on an elevated surface, such as table.
- When your baby gets older and more active, they could set the Kidskoje in motion. Therefore, for older infants, use this only on the floor.
- Do not let older children play in the Kidskoje or when the baby's in the Kidskoje alone in the room.
- Please note that the Kidskoje could tilt sideways when standing on a sloping surface.

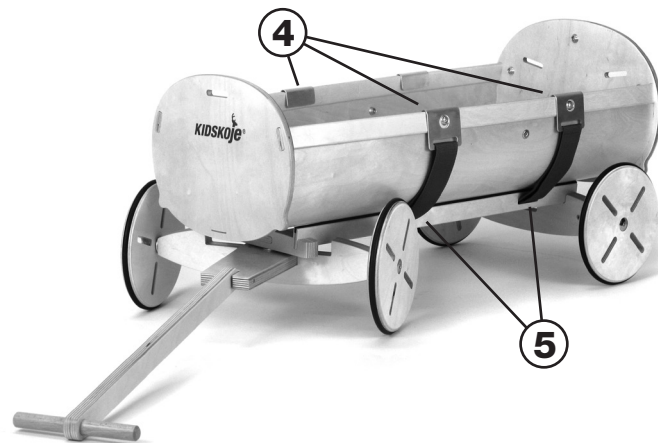
TOY CART ASSEMBLY INSTRUCTIONS

Connect the front and rear axles with the supplied cap nut (1). Put the straps through the oblong holes in the runners of the toy wagon chassis (2). Velcro-fasteners face to the underside. Put the straps through the hooks. They fasten the Kidskoje (3). Place the Kidskoje with the tail end positioned to the tiller. The push buttons of the Kidskoje are vertical with the oblong holes in the runners. Mount the Kidskoje with the hooks on the toy wagon. Therefore hang the hooks over the border and the push buttons of the Kidskoje (4). Now tighten and fix the straps evenly on both sides. Put the end of the straps through the oblong holes in the chassis underneath the Kidskoje to prevent any unintended opening (5). Check the firm seating of the velcro-fasteners and the Kidskoje on the chassis.



TOY CART INFORMATIONS

With sustainability in mind, we have conceived a toy which encourages the natural urge of every child to move around and discover. We have designed a sturdy, easy to assemble steering wheel kit, creating a toy cart when your child has outgrown the cot up to 6 years old. The rubber-tyred wheels ensure that teddy bears, dolls and building blocks can be quietly pulled through the house. The Kidskoje is mounted on two runners, which are equipped with rubber profiles to prevent slipping. Straps and velcro strips hold the Kidskoje securely in place. The handle is deliberately short so that it can only be used by children. The toy wagon was designed with EU standards for transportation vehicles in mind (EN 71-1 und EN 1888). All wooden parts are treated with low emission paints and varnishes, and are easy to clean with a damp cloth. The birch plywood is certified for the use in children's furniture and toys. The PP straps are colourfast, heat resistant up to 140° C, meet OEKO-TEX® and are manufactured in Germany. Rubberwheels and -profiles from NBR rubber.



TOY CART WARNINGS

- The toy cart has been designed as a transport wagon for toys and is not suitable for carrying children of any age group. We expressly remind you of the risk of injury!
- The toy cart is not intended as transport for children.
- Do not use any additional parts or spare parts other than those recommended.
- Fix the toy cart with straps and hooks on the Kidskoje and check the tightness of the velcro.
- Insert the ends of the straps through the eyelets below the Kidskoje.
- Do not allow older children to play with the baby in the toy cart for fear of risk of injury!
- Beware of the dangers when driving on slopes
- Don't exceed the weight limit of transportation goods of 8 kg.
- Don't use the toy cart if parts are missing or broken.
- Construction and wheels are designed for Indoor-Use. Therefore we don't guarantee for driving on uneven or rugged terrain.
- We assume liability for damage caused by intent or gross negligence.